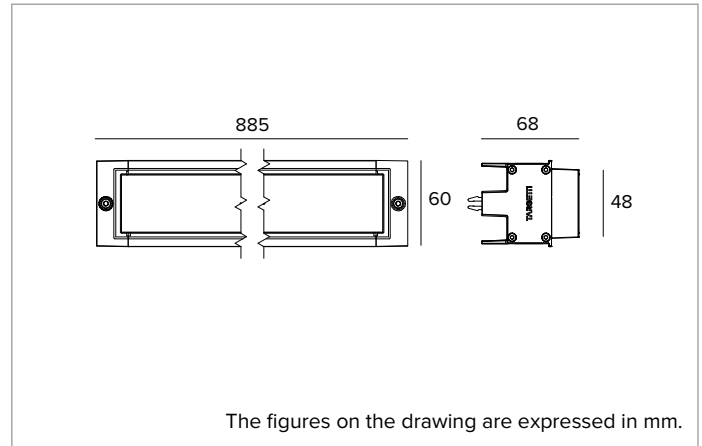


1E4146EL | IVY Linear module

Linear LED light module, powered at low voltage, to be installed into the installation profile



		3500K	H(m)	D1(m)	D2(m)	Emax(lx)	
		Ra90	77°	61°			
		Fixture Power	22W	1	1.58	1.19	1394
		Source Flux	3006lm	2	3.17	2.38	349
		Fixture Flux	1981lm	3	4.75	3.56	155
		Efficacy	88lm/W	4	6.33	4.75	87
TS1649	I _{max} =464cd/klm	I _{max}	1394cd	5	7.92	5.94	56



SOURCE

High Power High Efficiency Ra90 linear LED board.

Energy efficiency class: E

Nominal power: 20W

Nominal flux: 3006lm

Colour rendering index: 90

Rf: 83.6

Rg: 96.5

CCT nominal: 3500K

SDCM: 3

Lifetime (L80/B10): >50000h tq +25°C

ILLUMINOTECHNICAL CHARACTERISTICS

Opal version: internal optical system made of a MC-PET high reflectance white reflector and double holographic diffusive filter.

Optic: OPAL

Beam angles: OP

Optical efficiency: 66%

Fixture flux: 1981lm

Luminous efficacy: 88lm/W

Photobiological safety: Compliant with RG1 low risk group

MECHANICAL CHARACTERISTICS

Extruded aluminium body protected with a layer of black anodization with a minimum thickness of 15µ. Side enclosure caps in thermoplastic polymer. Extra clear 4mm thick glass flat screen. Lighting module of 885mm length.

Colour and finish: Black anodized

Dimensions: L=885mm

Weight: 2.2Kg

Version: ON-OFF

Degree of protection: IP65

ELECTRICAL CHARACTERISTICS

Fixture Power: 22W

Power supply: 48Vdc

Insulation Class: CLASS 3

Class F: YES

Ambient temperature: -25°C / +35°C

INSTALLATION

Fast connection system of the modules through anodized aluminium clips. Free positioning all over the installation profile according to installation needs with mechanical lock through Hex Key. Designed for connection in series through H05RN-F (0.15m + 0.15m) cable completed with male/female miniaturised IP65 connectors.

NOTES

Electronic ON-OFF version.

WARRANTY

5 years.

WARNING

Luminaire designed for disposal/recycling at end-of-life. Replaceable (LED only) light source by a professional. Replaceable control gear by a professional.

Due to the technological evolution of the electronic components, the data provided may be updated, and as such, confirmation must be requested during the order process.

Luminous flux and power supply have +/-10% tolerances with respect to the indicated value. tq +25°C (CIE 121).

We reserve the right to make technical changes.

Targetti Sankey S.r.l.
Via Pratese, 164
50145 Firenze - Italy
Tel: +39 055 37911
targetti.com
targetti@targetti.com

CCIAA Firenze
Share Capital:
€ 500.000,00
VAT N. (IT):
01537660480
R.E.A.: FI-275656

TARGETTI

1E4146EL | IVY Linear module

Linear LED light module, powered at low voltage, to be installed into the installation profile

Related codes

Power Supply



Driver	Colour	Code
ON-OFF	●	1E4169

48Vdc driver box (IP65).
L=450mm 90W.
Equipped with connection cable H05RN-F (0.15m + 0.15m) complete with male/female IP65 connectors for 220V and miniaturized female IP65 connector for 48V.



Driver	Colour	Code
ON-OFF	●	1E4175

48Vdc driver box (IP65).
L=450mm 150W.
Equipped with connection cable H05RN-F (0.15m + 0.15m) complete with male/female IP65 connectors for 220V and miniaturized female IP65 connector for 48V.

Power Supply

Dimensions LxHxP mm	Power	Power supply	Output voltage	IP	Code
225x51x65	70W	220-240Vac	48Vdc	IP67	1E2320
225x51x65	150W	220-240Vac	48Vdc	IP67	1E2321

Electronic ON-OFF power supply.
Cable length 0.5m (IN and OUT).
To be completed with Connection kit 1E4184.

Dimensions LxHxP mm	Power	Power supply	Output voltage	IP	Code
225x36x60	60W	220-240Vac	48Vdc	IP20	1T6917EL
240x49x60	130W	220-240Vac	48Vdc	IP20	1T6916EL

Electronic ON-OFF power supply.
To be completed with Connection kit 1E4184.

Accessories

Cable



L mm	Code
500	1E4270
1000	1E4181
2000	1E4182
3000	1E4183

Connection cable complete with male/female connectors.

Tool



Code
1E4171

Microcrewdriver with hexagonal head (diameter 0.9mm) for wiring 1E4184 connection kit.

Connector



Code
1E4184

Connection kit 24/48V.
Wire not included.
Maximum cable diameter 7.5mm.
To be used for lengths >3m.



Code
1E2769

Linear connection box IP66/IP68.
5 poles max. wire section 1.5mm².
Cable diameter range from 7 to 12mm.

Due to the technological evolution of the electronic components, the data provided may be updated, and as such, confirmation must be requested during the order process.
Luminous flux and power supply have +/-10% tolerances with respect to the indicated value. tq +25°C (CIE 121).

We reserve the right to make technical changes.

Targetti Sankey S.r.l.
Via Pratese, 164
50145 Firenze - Italy
Tel: +39 055 37911
targetti.com
targetti@targetti.com

CCIAA Firenze
Share Capital:
€ 500.000,00
VAT N. (IT):
01537660480
R.E.A: FI-275656

TARGETTI